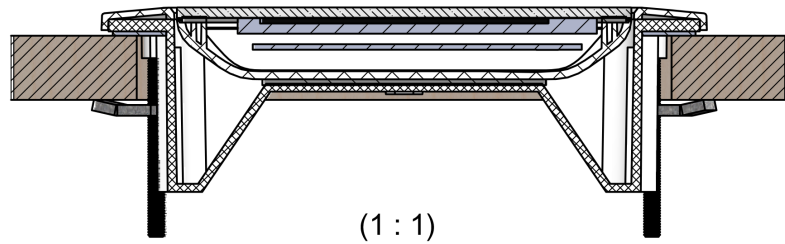
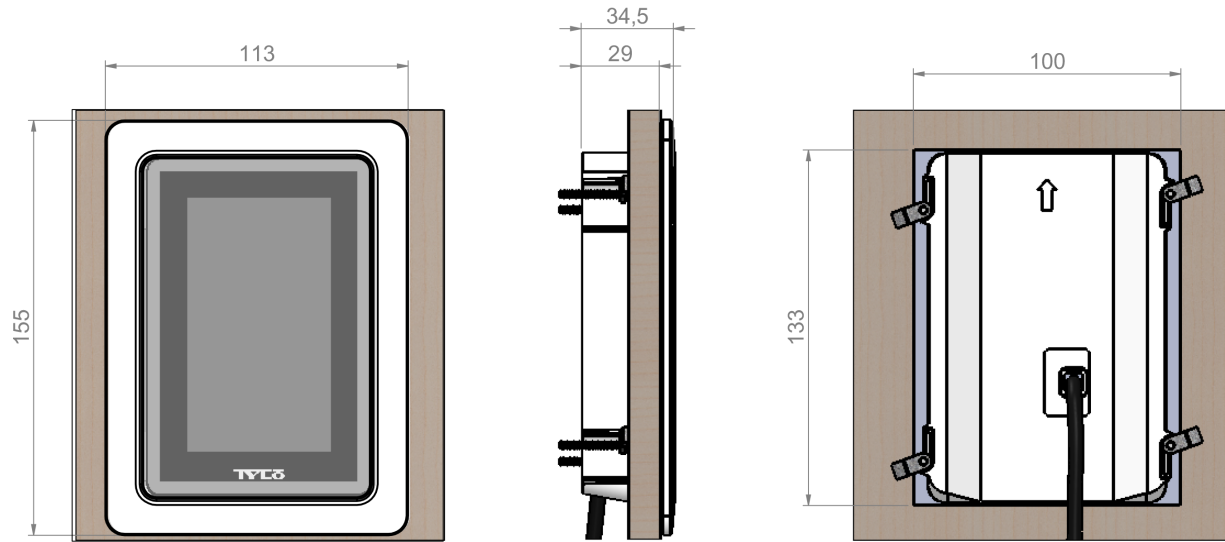
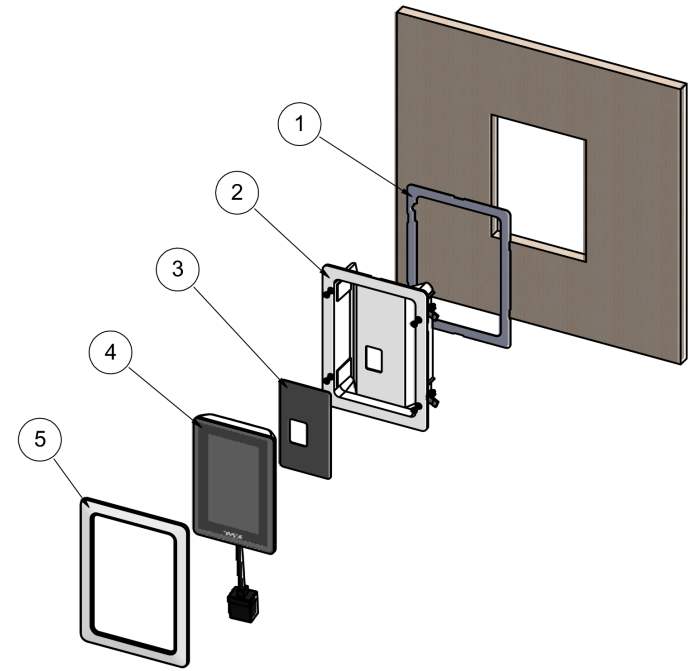


5	6	7	8
Rev.	Changes and/or mess.-no	Datum	Approved by



(1 : 1)



Cutout Dimensions

ITEM NO.	PART NUMBER	DESCRIPTION	QTY.
1	TH001630	Housing adhesive Tylo Pure	1
2	TH000764	Recessed housing Tylo Pure	1
3	TH000643	Frame adhesive Tylo high	1
4	TH000555	Tylo High	1
5	TH000712	Recessed frame Tylo Pure	1

Art.nr 2900 5203

Tolerance for other dimensions		Material		Article No.	
Designed by	Drawn by	Approved by	Replaces	Replaced by	Date
	JK				2013-09-12
Description			Page	State	Scale
Manöverpanel montering Tylo Pure			1 (1)	Draft	1:2
Control Panel			Drawing No.	Rev.	
			TH000555_recessed	v2	

This document must not be copied without our written permission and the contents thereof must not be imparted to a third party nor be used for any unauthorized purpose. Contravention will be prosecuted.